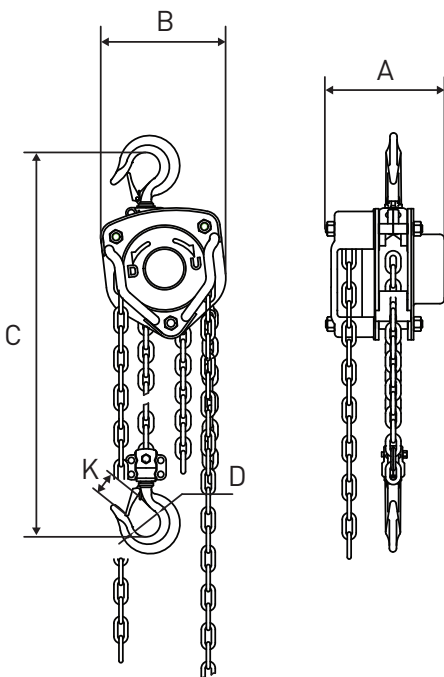




Chainhoist | 500 - 2.000 kg | MKO

- All Steel Construction** Impact resistant covers that provide durability and protection
- Powder Coating** This process provides a long lasting finish in hostile environments
- A double pawl and guide rollers** This enhances performance, safety, and reliability
- Unique curling design** This feature enables the hand chain hoist to successfully feed directly into the wheel sprocket from many directions, and angles
- Thrust bearing** Allows easy rotation of load while suspended & prevents load chain twisting
- Forged alloy steel hooks cast steel safety latches**
- With overload protection**
- Stainless steel riveted nameplates**

Item code	WLL kg	A mm	B mm	C mm	D mm	K mm	Weight
560.005	500	137.5	137	270	35	28	8.4 kg
560.010	1.000	146.5	155	317	35.5	28	11 kg
560.020	2.000	170	190	414	52	36	18.5 kg



Falls of chain	1
Hoist chain	6x18mm Electro-Galvanized - T-hardened
Control chain	5x25m Electro-Galvanized
Norm hoist	NEN-EN-ISO 12100-1/2, NEN-EN 818-7, NEN 2138
Norm hoist chain	ISO 3077 EN 818-7
HS code	8425190000

